

Total number of printed pages-4

53 (CS 501) SYPR

2013

(May)

## SYSTEM PROGRAMMING

Paper : CS 501

Full Marks : 100

Pass Marks : 30

Time : Three hours

*The figures in the margin indicate full marks for the questions.*

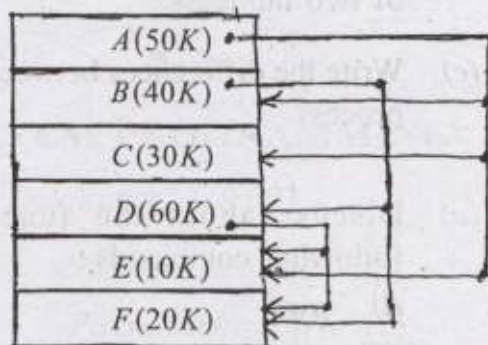
*Answer any five questions out of seven.*

1. (a) With a clear diagram discuss the pass I of a two pass assembler. 10
- (b) For the following program
  - (i) Create the symbol table at the end of pass I.
  - (ii) Show the base table at the end of pass II. 5+5

*Contd.*

2. (a) Write an assembly language program (using IBM 360 assembly language) to compute the sum of five values stored in *D1*, *D2*, *D3*, *D4* and *D5*. 10
- (b) Write the purposes of 5×2
- (i) DC
  - (ii) DS
  - (iii) USING
  - (iv) DROP
  - (v) BALR
3. (a) What are the differences between function and macro ? 5
- (b) With an example discuss how two-pass macro processor works. 10
- (c) Write briefly on ALA. 5
4. (a) What are the basic functions of a loader ? 5
- (b) Write the functions of EXTERN and ENTRY. 5+5

- (c) Consider the subroutine calls between the procedures *A*, *B*, *C*, *D*, *E*, *F* as depicted below :



Show the possible storage assignment of dynamic loading using a diagram. 5

5. (a) Discuss the different phases of a compiler. 10

- (b) Using Round Robin CPU scheduling algorithm compute the average turn around time and average waiting time for the following problem. Assume time slice = 2. 10

Process	CPU burst time
$P_1$	3
$P_2$	4
$P_3$	2
$P_4$	1
$P_5$	7

6. (a) What is shell in LINUX? 5
- (b) Write a shell program to compute the GCD of two numbers. 10
- (c) Write the differences between program and process. 5
7. (a) Discuss about the functions of the following commands: 5×2
- (i) *pwd*
  - (ii) *who*
  - (iii) *mv*
  - (iv) *cp*
  - (v) *tar*
- (b) Write down the functions of a System Administration. 10